

Cybex 625C E3 UPRIGHT BIKE,PRO 4 (K0223 to L0331)

625C-E3-03

Parts Manual

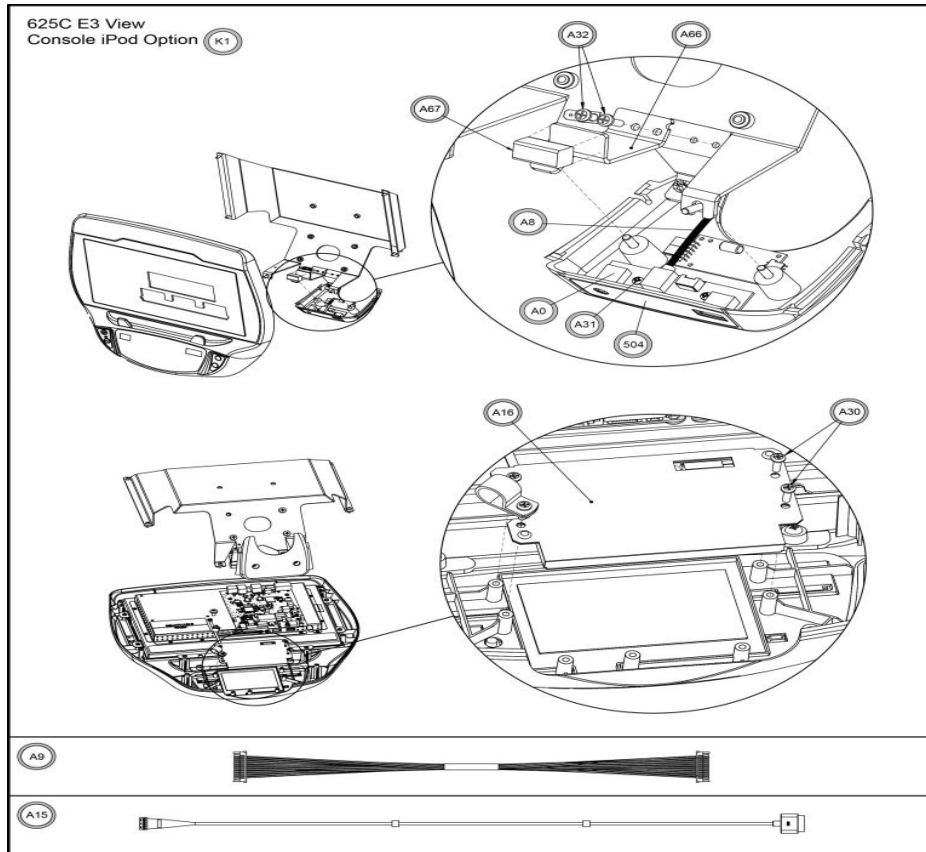
2/5/2024 19:10:13 PM



Table of Contents

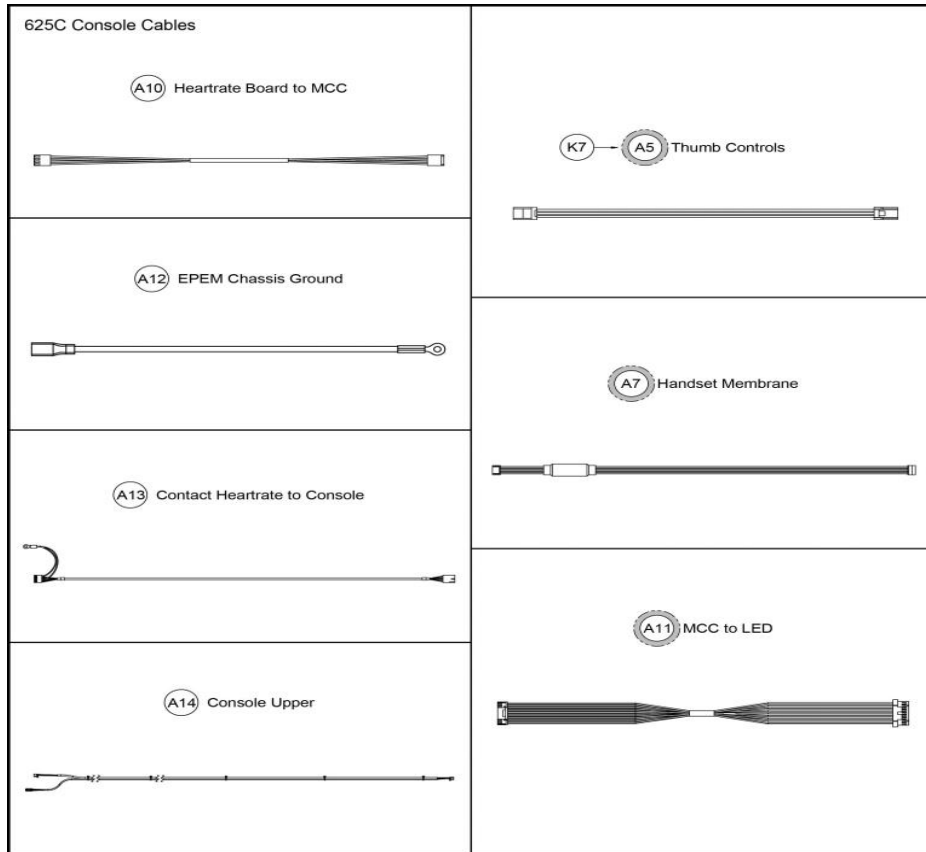
[625C Console E3 iPod Option \(G0601 to L0731\)](#).....3
[625C Console Cables](#).....4
[625C Console E3](#).....5
[625C Covers and lower electronics After K0223](#).....7
[625C Crank and pedals](#).....9
[625C E3 hardware manual and power cords](#).....10
[625C Frame seat handlebars](#).....11
[626 771 Asset Management Kit](#).....13

625C Console E3 iPod Option (G0601 to L0731)



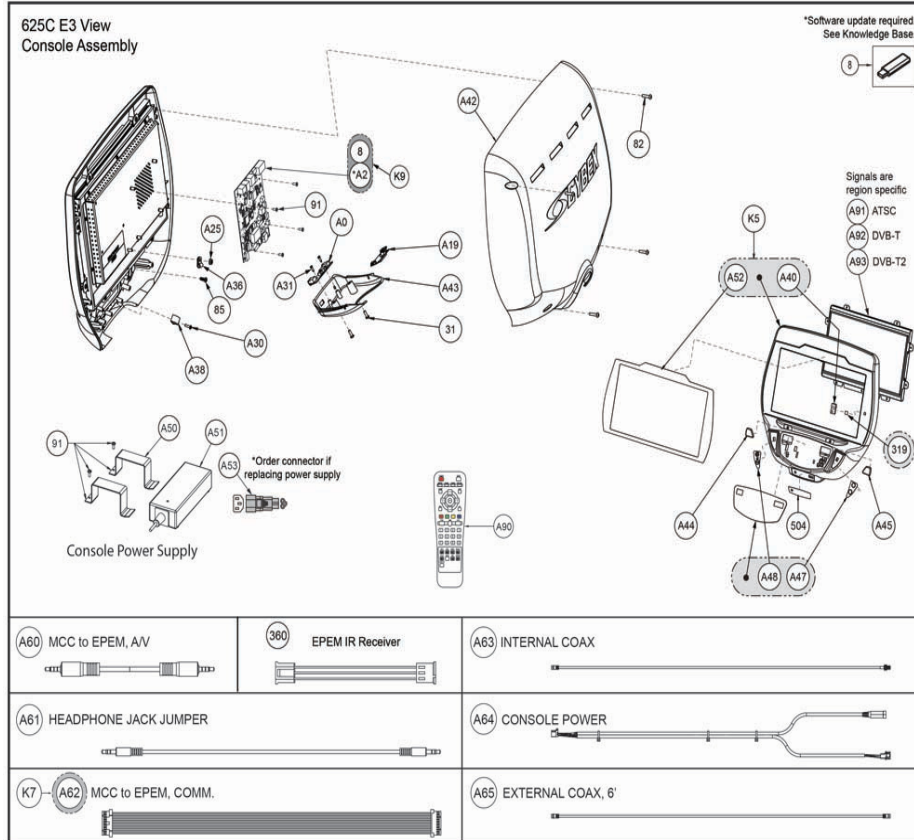
Ref #	Part Number	Qty	Description
A0	770A-347	1	PCA, HANDSET AUDIO JACK
K1	KAX-25114	1	KIT,RETROFIT APPLE,625CR
A8	770A-357	1	CABLE, HEADPHONE JACK JUMPER, ARC
A9	770A-363	1	CABLE, 770T 670 GFX BOARD TO MCC
A15	AW-23768	1	CABLE,625CR 770CR IPOD 30PIN,S
A16	AX-24137	1	ASSY,iPOD PCA,525 625
A30	HS-18320	4	SCREW,6-19X1-2 in,PNHD PHIL,ZN
A31	HS-20553	2	SCREW,4X3-8,SLFTP,PNHD,PHIL,ZN
A32	HS-21672	2	SCREW 8-32-1/2in TT TRILOBULAR
A66	770A-383	1	BRKT, GROUNDING, GUI
A67	HX-23441	1	GASKET,EMI,.5X.5X1.0
504	770A-381	1	DECAL , HEADPHONE JACK ONLY

625C_Console_Cables



Ref #	Part Number	Qty	Description
A5	770A-365	1	CABLE, THUMB CONTROLS
A7	770A-364	1	CABLE, HANDSET MEMBRANE, ARC
K7	KAW-24393	1	KIT, 625ACR CONSOLE CABLES
A10	770A-361	1	CABLE, ARC HRBOARD TO MCC
A11	770A-359	1	CABLE, 770A ARC MCC TO LED
A12	770A-412	1	CABLE, EPEM CHASSIS GROUND
A13	AW-23754	1	CABLE, CHR CONSOLE, 625CR 770CR
A14	AW-23756	1	CABLE, CONSOLE, 625C 770C

625C_Console_E3

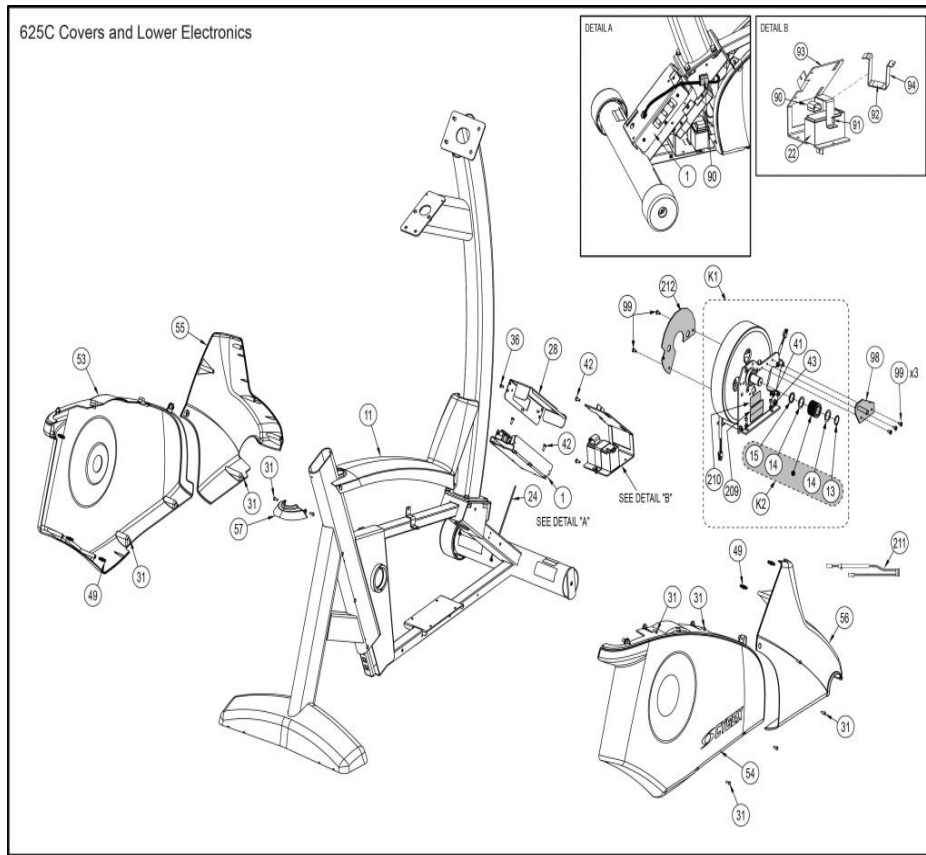


Ref #	Part Number	Qty	Description
A0	770A-347	1	PCA, HANDSET AUDIO JACK
A2	525AT-407	1	PCA, MCC, UNPROGRAMMED, IPOD, 525AT, C, R
K5	KPL-24229	1	Kit 626CR E3 Bzl w/dec
K7	KAW-24393	1	KIT,625ACR CONSOLE CABLES
K8	CP-23199	1	USB 2.0 FLASH DRIVE,BLANK
K9	PKAD-24626	1	KIT,MCC REPLACEMENT 625C/R
A19	770A-379	1	SENSOR, HEART RATE COMBO
A25	HN-11879	1	KEPS 8-32 HEX STL ZINC
A30	HS-18320	1	SCREW,6-19X1-2 in,PNHD PHIL,ZN
A31	HS-20553	2	SCREW,4X3-8,SLFTP,PNHD,PHIL,ZN
31	HS-15706	2	SCREW,8-16X.50,PNHD,STL,BLK ZN CLR,TYP WB
A36	HX-23021	1	CLIP,CABLE CLAMP,3-16DIA
A38	HX-23491	1	CLIP,CABLE CLAMP,9-16in DIA,NY
A40	AD-23465	1	PCA,IR SENSOR,EPDM
A42	770A-326	1	CONSOLE BACK, 625A-770A
A43	770A-330	1	COVER: HEADPHONE JACK
A44	770A-328	1	BACK TAB, SMALL CONSOLE, LEFT
A45	770A-329	1	BACK TAB, SMALL CONSOLE, RIGHT
A47	770A-387	1	THUMB SWITCH, RIGHT, RESISTANCE
A48	SW-23713	1	MEMBRANE,THUMB CONTROL,LEFT,RE
A50	FS-21372	2	STRAP,AV PW SUPPLY,750C
A51	TR-25809	1	Power Supply

Ref #	Part Number	Qty	Description
A52	770A-385	1	DECAL, UPPER DISPLAY, PEM, ARC
A53	CN-24913	1	ADAPTER,PLUG,IEC 60320 C14PLUG
A60	770A-355	1	CABLE, 770ACR, TO PEM AV
A61	770A-357	1	CABLE, HEADPHONE JACK JUMPER, ARC
A62	770A-356	1	CABLE, 770ACR, MMC TO PEM AV
A63	AW-23760	1	CABLE, RG59 COAX, 625CR 770CR
A64	AW-23819	1	CABLE, CONSOLE POWER, 770C
A65	AW-23836	1	CABLE, 6' COAX F-TYPE M-M
82	HS-18311	4	SCREW, 8-16X.75, PNHD PHIL, STL, B
85	HS-41187	1	SCREW SLFTP, 8-16X.3125, PLASTITE
A90	625A-335	1	REMOTE, EPEM, PDI
A91	PKRA-22564	1	NC KIT, E3 REFURBISHED ATSC (use PKCP-22564)
A91	PKCP-22564	1	NC KIT, e3 Replacement ATSC
91	HS-14391	4	SCREW SEMS, 6-32X.38 PNHD PHIL
A92	PKCP-22565	1	KIT, e3 Replacement DVBT
A92	PKRA-22565	1	NC KIT, E3 REFURBISHED DVBT
A93	CP-25454	1	PEM, OPEN FRAME, DVBT2
A93	PKCP-25810	1	KIT, E3 Replacement DVBT2
319	HX-17788	1	TAPE, DBL SIDED, .032THK
360	AW-23466	1	CABLE, EPEM PDI IR RECEIVER
504	770A-381	1	DECAL, HEADPHONE JACK ONLY

625C_Covers_and_lower_electronics_After_K022

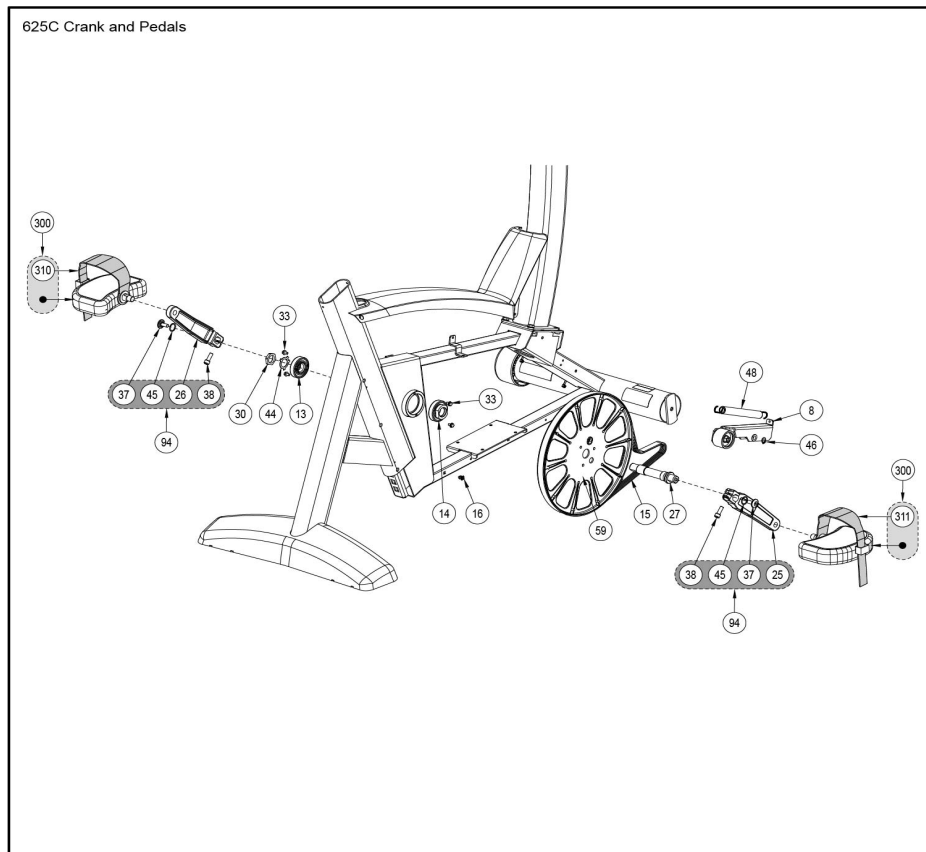
3



Ref #	Part Number	Qty	Description
K1	KAX-25509-4	1	KIT,BRAKE-GENERATOR ASSY,525 6
1	AD-24929	1	ASSY,LOWER CNTRL,2AMP,525CR 625CR 770CR
K2	PKAX-25510	1	PROD KIT,CLUTCH PULLEY REPLACE
11	AX-21693	1	
13	HX-24297	1	RETAINING RING 5100-78,20MM
14	HW-24299	2	WSHR,SHAFT,.812X1.125X.031 PTF
15	HW-24298	1	WSHR,SHAFT,20X25.4X1.9
22	EC-21351	1	BATTERY,12V/1.2AHR,750C 750R
24	EH-00986	1	TY WRAP,T B TYB-25M 9 in
28	FS-21599	1	COVER,LOWER CONTROLLER,750C 75
31	HS-15706	9	SCREW,8-16X.50,PNHD,STL,BLK ZN CLR,TYP WB
36	HS-11977	1	SCREW SEMS,8-32X.38,PNHD PHIL,EXT,STL,BLK ZN
41	HS-21612	2	SCREW,10-32X7-16,SCHD CAP,SS
42	HS-41006	4	SCREW SLFTP,10-24X.5,PNHD PHIL,410SS,HRDBO,WAX,TT
43	HW-00123	2	WSHR SAE NO.10 STL ZINC
49	HX-21519	4	PIN,PLASTIC RETAINER
53	PL-21579	1	SHROUD,LEFT REAR,750C
54	PL-21580	1	SHROUD,RIGHT REAR,750C
55	PL-21581	1	SHROUD,LEFT FRONT,750C

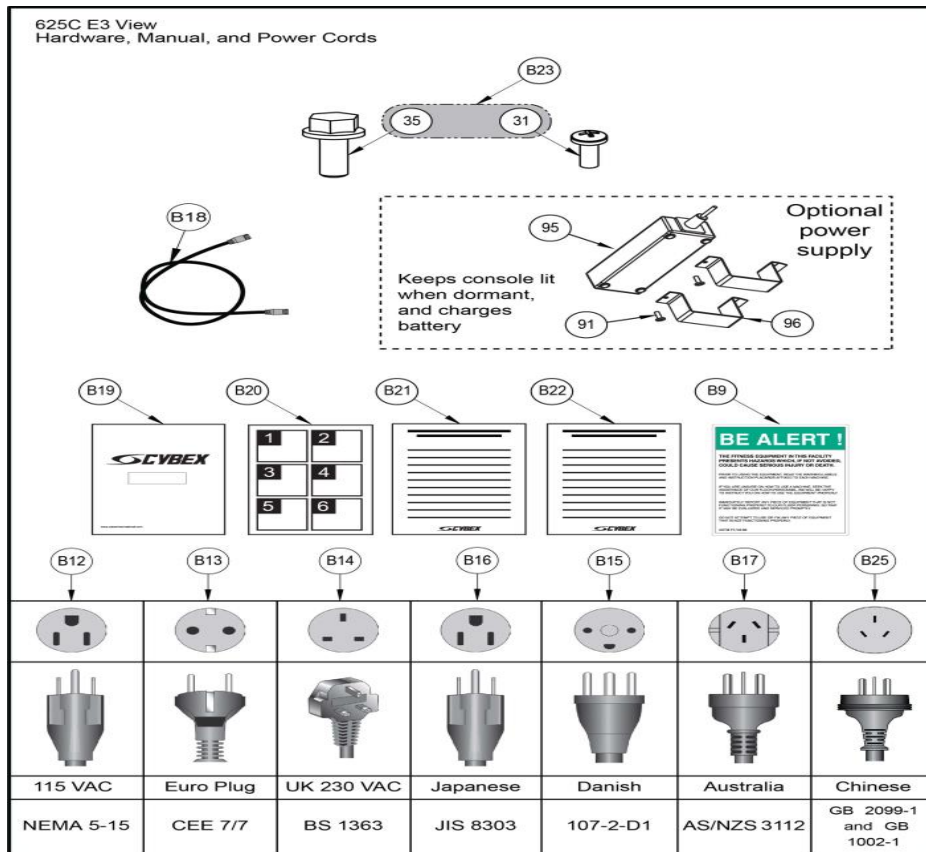
Ref #	Part Number	Qty	Description
56	AX-21854	1	
57	PL-21584	1	CAP, TOP REAR, 750C
90	HX-14416	1	CLIP, WIRE LATCHING, 1X1
91	HS-14391	1	SCREW SEMS, 6-32X.38 PNHD PHIL
92	HX-17788	1	TAPE, DBL SIDED, .032THK
93	AF-21370	1	BRKT, BATTERY-LOWER CONTOLLER, 7
94	FS-21371	1	STRAP, BATTERY, 750C
98	AF-21413	1	WELDMENT, IDLER ARM, SUPPORT, 525
99	HS-21443	5	SCREW, 10-24 X 3/8 PNHD PHIL, T
209	DE-17219	1	DECAL CAUTION MOVING PARTS- Custom
210	DE-18363	1	Label, Warning Hot Flywhl
211	AW-23973	1	CABLE, 625C 770C BRK GEN JUMPER
212	FS-21666	1	SHIELD, BRAKE, 525CR 625CR 770CR

625C_Crank_and_pedals



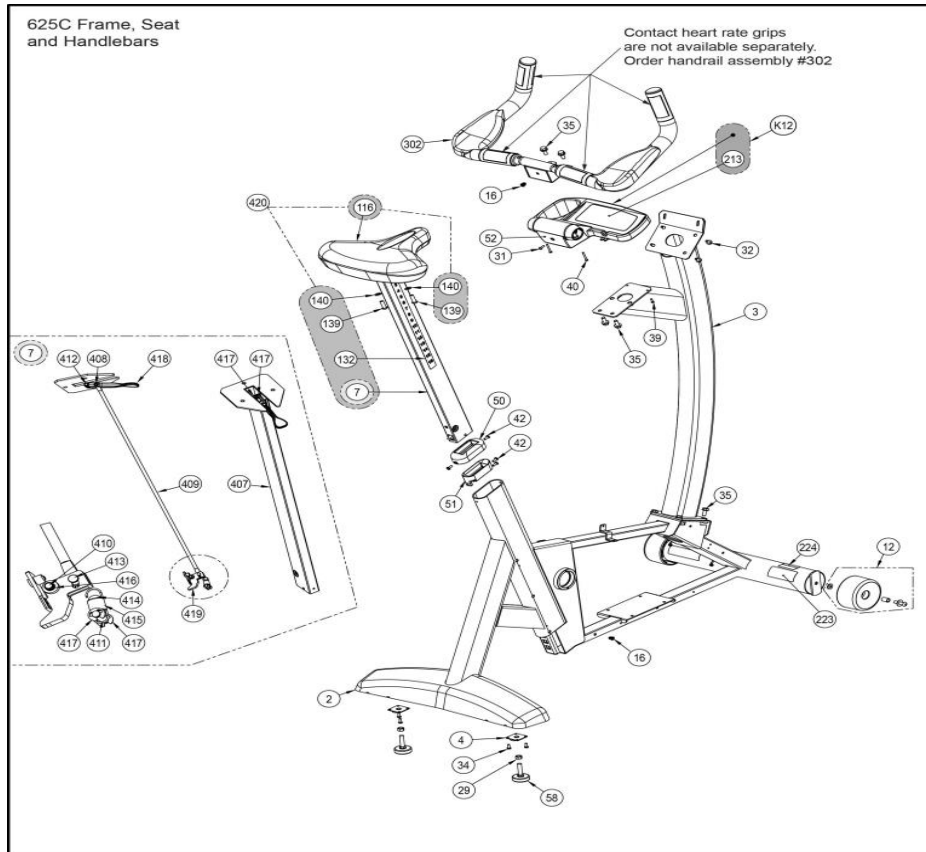
Ref #	Part Number	Qty	Description
8	AX-21327	1	
13	AX-62023	1	ASSY,LEFT CRANK BEARING
14	AX-62031	1	ASSY,RIGHT CRANK BEARING
15	BD-21366	1	BELT,POLY-V,480J8(1222 PJ8)
16	HX-20360	1	INSERT,EXPANSION,PLASTIC,#8-#1
25	FM-19470	1	CRANK,530C R,750C R,RIGHT ARM
26	FM-19471	1	CRANK,530C R,750C R,LEFT ARM
27	FM-19472	1	SHAFT,530C R,750C R,CRANK
30	HN-41157	1	NUT,7-8-24,LH,86A,ZN
33	HS-18294	4	SCREW,SEMS,10-32X.38,SLOT HXHD
37	HS-19467	2	BOLT,M8X1X20,SCHD BTN,BRIGHT C
38	HS-19468	2	BOLT,M8X1X22,SCHD CAP,BRIGHT C
44	HW-18176	1	WASHER,CRANK KEY
45	HW-19469	2	WSHR,FLAT 17.2 X 21.5 X .75,ST
46	HX-19529	1	GRIP RING RETAINING 3/8 in 555
48	HX-21374	1	SPRING,EXTENSION,.75 X .093 X
59	PW-20877	1	PULLEY,PRIMARY,ALUM.
94	AX-17959	2	CRANK ASSY,530C,R
300	AX-21382	1	
301	AX-21383	1	NLA: PEDAL 9/16in THREAD RIGHT
310	KHX-23401	1	PEDAL STRAP LEFT,750C 750R
311	KHX-23402	1	PEDAL STRAP RIGHT,750C 750R

625C_E3_hardware_manual_and_power_cords



Ref #	Part Number	Qty	Description
B9	LT-03051	1	SIGN FACILITY SAFETY
B12	AW-14007	1	POWER CORD,115V,60HZ PWR SUPPLY IEC320 (SJT)
B13	WR-14012	1	POWER CORD,230V,10A,CEE 7-7,2M PN: 199-000
B14	AW-20193	1	POWER CORD,250VAC 10A,2.5M IEC
B15	AW-22229	1	POWER CORD,10A,250V IEC 60320
B16	AW-20192	1	POWER CORD,100V,50HZ,2.5M IEC-
B17	AW-24058	1	POWERCORD,250V 10A AUS/NZ
B18	AW-23836	1	CABLE,6' COAX F-TYPE M-M
B19	LT-23688	1	Owner Manual 625CR
B20	LT-23690	1	ASSEMBLY POSTER
B21	LT-23692-4	1	
B22	LT-23693-4	1	
B23	AX-21698	1	KIT,INSTALL HARDWARE,750C
B25	AW-25665	1	POWER CORD,10A/250V,2.5m,CHINE
31	HS-15706	1	SCREW,8-16X.50,PNHD,STL,BLK ZN CLR,TYP WB
35	HS-19108	1	SCREW 5-16-18X3-4LG,HXHD,WHIZ-
91	HS-14391	4	SCREW SEMS,6-32X.38 PNHD PHIL
95	TR-22382	1	Power supply
96	FS-21372	2	STRAP,AV PW SUPPLY,750C

625C_Frame_seat_handlebars



Ref #	Part Number	Qty	Description
2	AF-21135	1	WELDMNT,FRAME,UPRIGHT,750C Custom
3	AF-23704	1	WELDMNT,CONSOLE SUPPORT,UPRIGHT Custom
4	AF-21506	2	WELDMNT,LEVELER WELDNUT,750C
7	AX-22166	1	ASSY,SEAT POST W-O SEAT
12	AX-21732	2	ASSY,WHEEL,750C 750R
K12	PKAX-24908	1	KIT,ACCY TRAY W/DECAL
16	HX-20360	1	INSERT,EXPANSION,PLASTIC,#8-#1
29	HN-00199	1	NUT 3-8-16 HEX STL ZINC
31	HS-15706	1	SCREW,8-16X.50,PNHD,STL,BLK ZN CLR,TYP WB
32	HS-16875	1	BOLT SEMS,1-4-20X.5,PNHD PHIL,
34	HS-18497	4	SCREW,10-32X .50,PNHD PHIL,BLK
35	HS-19108	8	SCREW 5-16-18X3-4LG,HXHD,WHIZ-
39	HS-21600	1	SCREW,#6-1/2" PNHD PHIL PLASTI
40	HS-21601	2	SCREW,#6-1 1/4" PNHD PHIL PLAS
42	HS-41006	4	PHIL,410SS,HRDBO,WAX,TT
50	PL-17965	1	GUIDE,SEAT POST,UPPER
51	PL-17966	1	GUIDE,SEAT POST,LOWER
52	PL-21529	1	ACCESSORY TRAY,BOTTOM,750C
58	HX-22203	2	LEVELER,3/8-16 X 1 1/2 STUD W/
116	PD-18232G	1	SEAT BOTTOM,750C GRAY
132	DE-20713	1	LABEL,SEAT POST,530C

Ref #	Part Number	Qty	Description
139	HS-18298	2	BOLT,5-16-18X .88,BTHD CAP,SS,
140	HW-53018	2	WASHER 5-16 SPLIT SS,BLK
213	DE-23739	1	LABEL,WARNING,ACCESS TRAY,625C- Custom
223	DE-21749	1	Decal, Disconnect PWR
224	DE-21763	1	*DECAL,ETL CSA,MEDWAY,750C 750
302	AX-21406	1	ASSY,HANDRAIL,750C
407	AX-21297	1	WELD,SEATPOST,750C BZ
408,409,41 2,418,419, 420	AX-21296	6	ASSY,SEAT POST
410	FM-21490	1	PIN,CLEVIS, SEAT POST PAWL
411	FM-21491	1	PIN,SEAT POST SPRING
413	FM-21502	1	PIN,CLEVIS,PAWL TO ROD
414	HX-21298	1	PLUG,SPRING,RATCHETING SEATPOS
415	HX-21303	1	SPRING,EXTENSION,.5 X .049 X 1
416	HX-21493	1	RETAINING RING,BASIC .6MM EXTE
417	HX-21494	4	RETAINING RING,E-TYPE .250 EXT

626_771 Asset Management Kit

Ref #	Part Number	Qty	Description
K1	KU-25238	1	UPGRADE KIT,AWM,IMP, 525 625 7
1	OAD-25136V	1	PCA, ELECT IMP AWN SLDR MOD, US
1	OAD-25138V	1	PCA, ELECT IMP AWN SLDR MOD, EU
K2	KU-25239	1	UPGRADE KIT,AWM,IMP, 525 625 7
2	OHX-25109	2	TAPE, DBL SIDED, VHB, 1.0X.25X.120THK
3	770A-411	1	CABLE, CATSE, 18

